

(12) INTERNATIONAL APPLICATION PUBLISHED UNDER THE PATENT COOPERATION TREATY (PCT)

(19) World Intellectual Property Organization
International Bureau



(43) International Publication Date
12 September 2002 (12.09.2002)

PCT

(10) International Publication Number
WO 02/071044 A1

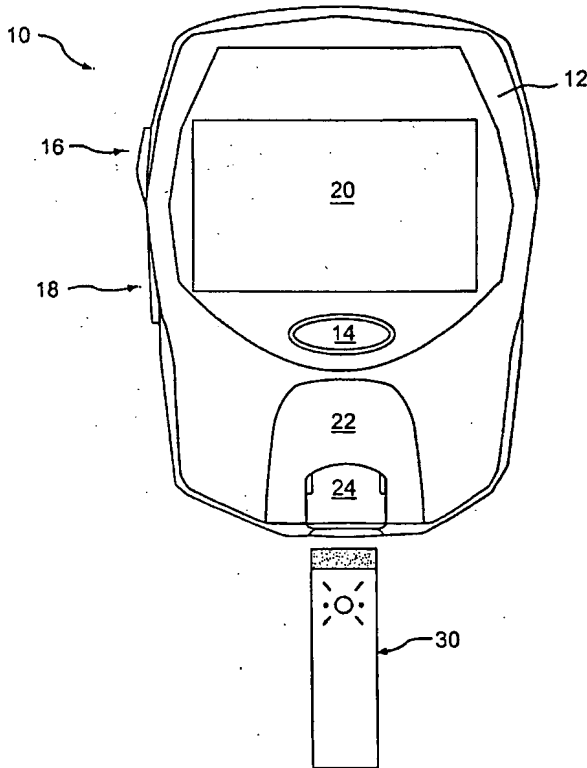
- (51) International Patent Classification⁷: G01N 21/78, 33/52, 35/02 06804 (US). GILMOUR, Steven, B. [US/US]; 532 Navarre Avenue, Coral Gables, FL 33134 (US).
- (21) International Application Number: PCT/US02/05091 (74) Agents: GARRETT, Arthur, S. et al.; Finnegan, Henderson, Farabow, Garrett & Dunner, L.L.P., 1300 I Street, N.W., Washington, DC 20005-3315 (US).
- (22) International Filing Date: 28 February 2002 (28.02.2002)
- (25) Filing Language: English (81) Designated States (*national*): AE, AG, AL, AM, AT, AU, AZ, BA, BB, BG, BR, BY, BZ, CA, CH, CN, CO, CR, CU, CZ, DE, DK, DM, DZ, EC, EE, ES, FI, GB, GD, GE, GH, GM, HR, HU, ID, IL, IN, IS, JP, KE, KG, KP, KR, KZ, LC, LK, LR, LS, LT, LU, LV, MA, MD, MG, MK, MN, MW, MX, MZ, NO, NZ, OM, PH, PL, PT, RO, RU, SD, SE, SG, SI, SK, SL, TJ, TM, TN, TR, TT, TZ, UA, UG, US, UZ, VN, YU, ZA, ZM, ZW.
- (26) Publication Language: English
- (30) Priority Data: 09/794,044 28 February 2001 (28.02.2001) US (84) Designated States (*regional*): ARIPO patent (GH, GM, KE, LS, MW, MZ, SD, SL, SZ, TZ, UG, ZM, ZW), Eurasian patent (AM, AZ, BY, KG, KZ, MD, RU, TJ, TM), European patent (AT, BE, CH, CY, DE, DK, ES, FI, FR,
- (71) Applicant (*for all designated States except US*): HOME DIAGNOSTICS, INC. [US/US]; 2400 N.W. 55th Court, Fort Lauderdale, FL 33309 (US).
- (72) Inventors; and
- (75) Inventors/Applicants (*for US only*): MODZELEWSKI, Brent, E. [US/US]; 13 Red Barn Lane, Brookfield, CT

[Continued on next page]



WO 02/071044 A1

(54) Title: DISTINGUISHING TEST TYPES THROUGH SPECTRAL ANALYSIS



(57) Abstract: A method and apparatus for automatically selecting test types for an analytical meter system (10) based on the insertion into the meter of a test element (30). The test element can be an analytical element, formed by a test strip with control fluid applied thereto; or a standard element, or a standard strip exhibiting known optical properties. By inserting the test element into the analytical meter system, optical properties are measured and the existence of relationships between the measurements are ascertained.

BEST AVAILABLE COPY



GB, GR, IE, IT, LU, MC, NL, PT, SE, TR), OAPI patent
(BF, BJ, CF, CG, CI, CM, GA, GN, GQ, GW, ML, MR,
NE, SN, TD, TG).

— *before the expiration of the time limit for amending the
claims and to be republished in the event of receipt of
amendments*

Published:

— *with international search report*

*For two-letter codes and other abbreviations, refer to the "Guid-
ance Notes on Codes and Abbreviations" appearing at the begin-
ning of each regular issue of the PCT Gazette.*

DISTINGUISHING TEST TYPES THROUGH SPECTRAL ANALYSIS

DESCRIPTION OF THE INVENTIONField of the Invention

The present invention relates generally to methods and apparatus for determining the test type to be performed on various types of test elements. More particularly, this invention provides methods for distinguishing between different types of test elements, including analytical test strips with fluid samples applied to them, analytical test strips with control solution applied to them, and standard strips as measured by a reflectance-type testing device.

Background of the Invention

Monitoring analytes such as glucose, cholesterol, intoxicants, and other constituents is frequently desirable in fluids, such as blood, plasma, blood serum, saliva, urine, and other biological fluids. In healthcare applications, such monitoring affords the opportunity to make rapid diagnoses of a patient's condition and to take prophylactic or therapeutic measures necessary for maintaining proper health.

One such healthcare application that has benefited tremendously by analyte monitoring in recent years is the treatment of diabetes. Diabetics suffer from an impaired ability to regulate glucose levels in their blood. As a result, diabetics can have abnormally high blood sugar levels known as hyperglycemia. Chronic hyperglycemia may lead to long-term complications such as cardiovascular disease and degeneration of the kidneys, retinas, blood vessels and the nervous system. To minimize the risk of

such long term complications, diabetics must strictly monitor and manage their blood glucose levels.

Diabetics that have glucose levels that fluctuate several times throughout the day require very close blood glucose level monitoring. Close monitoring of blood glucose levels is most easily obtained when a diabetic is able to monitor their glucose levels themselves. Many devices currently available allow diabetics to measure their own blood sugar levels.

Reflectance-based monitors comprise one category of personal, or home-use, glucose level monitoring devices. These monitors utilize an optical block which accepts test elements for photometric analysis.

The test elements are usually in the form of test strips, which contain analytical chemistry. Conventionally, these test strips are in the form of a disposable diagnostic test strip containing analytical chemistry upon which a fluid sample is deposited. Once the user applies the fluid sample to the test strip, and the sample has sufficiently penetrated the test strip, a chemical reaction occurs in the presence of a target analyte, e.g., glucose, to cause a change in the optical properties of the test strip. An optical photometric device then determines the analyte level of the sample by measuring an optical property, such as the intensity of reflected light at a certain wavelength from the test strip. For in vitro analysis in healthcare applications, the fluid sample is usually fresh whole blood. Periodically, however, it is desirable to run a test on a test element formed by applying a control solution of known analyte concentration to a test strip, in order to verify that the meter is performing within operational limits. It is also desirable

for the user to insert a "standard strip", which is a test element that has known optical properties, in order to verify that the meter is operating within operational limits.

Diagnostic test strips for testing analytes such as glucose levels of blood samples are well known in the art and comprise various structures and materials. Test strips typically include single or multi-layered porous membrane arrangements which receive a blood sample and undergo a change in an optical property, such as a color change, in response to the interaction of blood glucose with agents/reactants in the membrane. Examples of such multi-layer strips are described in U.S. Patents 5,296,192 to Carroll and 6,010,999 to Carroll et al., the contents of both of which are incorporated herein by reference.

Prior to reaching the reactants, a whole blood sample can be filtered to eliminate potential optical interference by removing erythrocytes, or red blood cells. Some test strips operate to allow the applied blood sample to migrate to a reaction site in the membrane where the sample reacts with the agents/reactants, which is located in downstream capillary relation to the sample application site. The results of the reaction are often visible as a color change at the reaction site. However, the change may occur in invisible regions of the electromagnetic spectrum, such as infrared and ultraviolet. For the purposes of this application, the term "color change" will be understood to include variations in optical properties throughout the visible and invisible regions of the electromagnetic spectrum. As noted above, a color change can be correlated to the amount of glucose in the sample. Home-use glucose measuring devices that use a reflectance meter to measure the color change of the test strip correlate glucose levels

to the change in the amount of light reflected from the reaction site of the test strip. As is well known in the art, strips can be formulated to produce a color change within a certain spectral region, and the meter designed to photometrically measure reflected, absorbed or transmitted light at a wavelength sensitive to the color change of the strip. While the present invention will be described with reference to reflectance based photometry, it would be known to one having ordinary skill in the art to apply the features of the invention to absorbance or transmittance based systems.

Desirable for maintaining the accuracy of blood glucose monitoring devices is the periodic checking of the device to ensure that it is within operational compliance. As mentioned above, certain periodic standardization tests performed by the user provide verification of the meter's accurate operation. Accuracy is required by regulatory authorities for medical devices such as diabetes testing monitors, where a patient's life can depend on proper operation of the monitoring system.

Common verification techniques are designed to periodically check whether the monitoring device is operating properly, and thus accurately measuring blood glucose levels. Verification techniques used in glucose level monitoring devices include inserting test elements having a known glucose or reflectance value into the monitoring unit and comparing the measured results with the known values. Test elements having known glucose levels ("Control Test Elements" hereinafter) are normally prepared by applying a glucose control solution having a known glucose concentration to a dry test strip that normally could be used to run a test with blood. The control test element is then inserted into the monitoring unit and a test is performed and the calculated glucose

value of the test element is displayed. The calculated glucose value is then compared with a range of acceptable results provided by the manufacturer for the glucose control solution. If the results displayed by the device for the control test element fall within an acceptable range designated for the solution, the device is deemed to be appropriately functioning ready for testing a blood sample.

Another verification technique commonly used in glucose level monitoring devices includes inserting a strip with a known reflectance value into the monitoring unit ("Standard Test Element" or "Standard Strip" hereinafter). This standard test element does not receive a fluid sample, but is rather formed of a one piece rigid or semi-rigid material such as plastic having known optical properties. The standard reflectance strip can be stored in a compartment of the monitoring unit so that it is conveniently available for use throughout the life of the monitoring device. The standard reflectance strip is inserted into and measured by the device just as other test strips, and the measurement results are compared with a range of acceptable results provided with standard reflectance strip. As with the test using the glucose control test element, if the results of the measurement fall within an acceptable range, the device is ready for testing a blood sample.

The test run with the standard test element ("Standard Test" hereinafter) is intended to test the performance of the monitoring device only, while the test run with the control test element ("Control Test" hereinafter) is intended to check the entire monitoring process including the testing technique of the user. Conventional glucose monitoring devices are capable of performing both types of calibration techniques and

will normally include instructions regarding when to initiate each type of calibration technique.

Of course, the monitoring device must also accept a test element formed by sample fluid, such as blood, applied to a test strip ("Analytical Test Element" hereinafter), and run an analytical test thereon to determine analyte concentration ("Analytical Test" hereinafter).

A problem with prior art devices has been that they have typically not been able to discriminate between the type of test element introduced into the meter, and therefore the type of test to run, without user intervention. For example, the standard test is instantaneous and need not ascertain that a reaction on a test strip has run to completion, as is required in the control test and the analytical test. It is also desirable that the historical results for all three tests should be stored separately, so that the user's results from the analytical tests are not mixed in or displayed with the standard test or control test results.

Conventional methods for differentiating the test type have required the user to perform an affirmative act, such as pressing a button on the device, to signal to the device that the test strip inserted includes a glucose control solution and not a blood sample.

The requirement that a user perform an affirmative act to signal to the monitoring device the type of sample tested allows the possibility for human error that can adversely affect the proper storing and monitoring of measurement results, and possibly the misinterpretation of stored results. For example, if a user were to fail to perform a

required step indicating insertion of a test strip containing glucose control solution, such as failing to push a button or wait a specified time, the measurement results could be incorrectly stored in the memory of the device as an actual blood glucose level result, possibly resulting in, among others, false self-diagnosis of blood sugar levels or erroneous treatment regimens being prescribed by healthcare professionals.

Another prior art system is a "negative blood" approach, which uses two wavelengths. In such a system, a secondary LED which measures at a wavelength at which red blood cells are highly detectable. This measurement is used to formulate a correction factor used in running the glucose test in whole blood to subtract out optical interference caused by hemoglobin. This arrangement is usually necessary in conjunction with single-layer test strips, which are generally unable to adequately separate hemoglobin from whole blood sample as it flows to the opposite surface where the colorimetric reaction with the reagent is desired to be measured. If reflection from this secondary LED is not detected to achieve a certain threshold, that is if there is no hemoglobin detected, the meter automatically assumes that the test element is a control element. This methodology is in essence binary, and is limited to the distinction between "Blood" and "Not Blood," and is therefore not satisfactory if there are more than two possibilities.

The difficulties monitoring devices have in properly distinguishing the type of test element inserted also carries over to distinguishing between insertion of a test strip having a sample applied thereon, *i.e.* a control test element or an analytical test element, and insertion of a standard reflectance strip. Again, conventional monitoring

devices have the drawback of requiring an affirmative act from the user to signal that a non-analytical test is being performed by the monitoring device. It is accordingly an object of the invention to provide a method for automatically distinguishing between the type of test performed by the device based on the test element inserted by the user, without the need for any affirmative act by the user.

SUMMARY OF THE INVENTION

In accordance with the invention, a method for automatically selecting test types in an analytical meter system is described, the method comprising the steps of:

providing a test element, said test element belonging to one of a plurality of test element types;

inserting said test element into an analytical meter system;

measuring a first optical property of the test element;

measuring a second optical property of the test element;

distinguishing said test element by identifying a predetermined relationship between said first and second optical properties;

selecting a test type based at least in part upon the results of said distinguishing step.

Also described is a meter system for performing one of a plurality of test types on a test element, where the test element is inserted into the meter system and belongs to one of a plurality of test element types, the meter system comprising:

a first light emitting diode selectively discharging light at a first wavelength;

a second light emitting diode selectively discharging light at a second wavelength;

at least one light detector for measuring light emitted from the first and second light emitting diodes and reflected from a test element; and

a processor for distinguishing said test element by identifying a predetermined relationship between first and second optical properties, and further for selecting a test type based at least in part upon the results of said distinguishing.

Additional objects and advantages of the invention will be set forth in part in the description which follows, and in part will be obvious from the description, or may be learned by practice of the invention. The objects and advantages of the invention will be realized and attained by means of the elements and combinations particularly pointed out in the appended claims.

It is to be understood that both the foregoing general description and the following detailed description are exemplary and explanatory only and are not restrictive of the invention, as claimed.

BRIEF DESCRIPTION OF THE DRAWINGS

The accompanying drawings, which are incorporated in and constitute a part of this specification, illustrate one embodiment of the invention and, together with the description, serve to explain the principles of the invention.

Fig. 1 illustrates an analyte meter system according to the present invention;

Fig. 2 illustrates a test strip for receiving a fluid sample and insertion into the meter system of Fig. 1, all in accordance with the present invention;

Fig. 3 illustrates a graph of Reflectance v. Wavelength for an analytical element formed of blood sample of relatively high glucose concentration applied to the test strip of Fig. 2;

Fig. 4 illustrates a graph of Reflectance v. Wavelength comparing the spectral curve of the analytical element of Fig. 3 with that of a control element formed of control solution of substantially equal glucose concentration applied to the test strip of Fig. 2;

Fig. 5 illustrates a graph of Reflectance v. Wavelength comparing the spectral curve of an analytical element formed of blood sample of relatively low glucose concentration applied to the test strip of Fig. 2, with that of a control element formed of control solution of substantially equal glucose concentration applied to the test strip of Fig. 2; and

Fig. 6 is a schematic representation of a meter system according to the present invention.

DETAILED DESCRIPTION OF THE INVENTION

Reference will now be made in detail to an illustrative embodiment of the invention, which appears in the accompanying drawings. Wherever possible, the same reference numbers will be used throughout the drawings to refer to the same or like parts.

With reference to the drawings, Fig. 1 depicts an analyte meter system 10 according to the present invention. Meter system 10 generally includes a hand-held meter having a housing enclosure 12, power button 14, control buttons 16, 18, liquid crystal display (LCD) 20, removable test chamber cover or shroud 22 having a test strip

platform 24 for receiving and testing a multi-layered diagnostic test strip 30. A strip sensor (not shown) of known configuration is located at a distal end of the strip platform 24 to detect when a test strip 30 has been fully inserted into the device. The test strip 30 contains a reagent that produces a detectable response in proportion to the amount of a suspected analyte, such as glucose, cholesterol, ketones, theophylline, and fructosamine, and others. Although the present invention is adaptable for testing multiple analytes, discussion is directed herein to monitoring glucose levels in whole blood samples for purposes of describing the instant invention.

Fig. 2 illustrates an enlarged view of diagnostic test strip 30. Test strip 30 generally includes an upper and lower support layer 32, 34, with sample receiving layers 36 located between the support layers 32, 34. Sample receiving layers 36 include a spreading layer 38 located adjacent upper support layer 32, a separating layer 40, and a semi-porous membrane reagent layer 42 located adjacent lower support layer 34. At least one of the sample receiving layers 36 is pretreated with a dry chemistry reagent and conditioning solution. Preferably, the membrane 42 and separating layer 40 are pretreated with the reagent/conditioning solution. The spreading layer 38 may also be treated. Each layer is positioned in substantially continuous contact with its adjacent layer as shown in Fig. 2 by adhesives and ultrasonic bonding, or other known means, to provide a sealed composite structure.

The top and bottom support layers 32, 34 of test strip 30 each define an aperture or opening therethrough. These apertures or openings of the test strip 30 are oriented in vertical alignment with a test window (not shown) located along strip platform 24 (Fig.

1) when properly positioned in meter system 10. The opening in the upper support strip 32 defines a sample receiving port 44 and the opening in the lower support strip 34 defines a reaction viewing port 46. The sample receiving layers 36 are oriented in vertical alignment with sample receiving port 44 and reaction viewing port 46. This allows the blood sample received by the test strip 30 to pass directly from receiving port 44 to viewing port 46. As the sample travels to the viewing port 46 it will encounter reagent, and any analyte in the sample will begin to react with the reagent and begin to form an optically detectable condition, such as a color change. This optically detectable condition is assessed from the viewing port 46, and can be used to determine the presence of, or calculate the concentration of an analyte of interest. The test strip 30 of Fig. 2 is illustrative only and many other test strip configurations may be used when practicing the present invention.

Monitoring meter system 10 of the present invention includes a circuit assembly physically and electrically connected to a printed circuit board, an example of which is schematically depicted as the block diagram of Fig. 5. The circuit 100 contains a microprocessor 102 with a plurality of inputs and outputs. An exemplary embodiment of the present invention uses an 8-bit device with 60K of programmable memory. The microprocessor executes the meter instruction code. The microprocessor receives input from the user through input device 104, which can include buttons or other input devices known in the art. A display 106 and a sounder 107 or similar output devices receives data from the microprocessor for presentation to the user. A memory device 108, for example EEPROM, is also connected for input from and output to the

microprocessor 102. A communication port 110 can also be connected in an input-output relationship with the microprocessor in a known manner.

A strip sensor 112 receives a drive signal through line 114 to turn on and off photo element 116. The photo element can be an LED. Light from the photo element 116 is detected by the photodetector 118. The photodetector can be a photodiode or phototransistor. Output from the photodetector is supplied via line 120 to the microprocessor 102. The strip sensor detects when a test strip is inserted into the meter, and can be initialized by the method described in commonly assigned, copending US Patent Application ___/____,____ (Atty Docket 0043-00000 entitled "Improved Method of Strip Insertion Detection"), filed concurrently herewith, the contents of which are incorporated herein by reference.

The circuit assembly can include a light intensity control circuit, represented as section 122 of the diagram, and a light detector circuit 124, discussed in further detail hereinbelow. An exemplary embodiment of the present invention operates using a DC offset ("virtual ground") of 2.5V reference (not shown) and is powered from a 1.5V AAA battery (not shown), which may include a voltage divider circuit or other power management circuitry as is known in the art.

An analog to digital (A/D) converter 126 converts analog electrical output on line 128 from the light detector circuit 124 into digital information for the microprocessor 102. In an exemplary embodiment of the invention, a 12-bit A/D converter is employed. A temperature sensor 130 provides a voltage proportional to the temperature along line

132 to the A/D converter. The microprocessor 102 can make a determination as to whether the temperature of the testing environment is within predetermined thresholds, and prohibit a user from running a test if accuracy would be negatively affected.

The light intensity control circuit (LICC) 122 will now be described. In an exemplary embodiment, the circuit is supplied by a pulse width modulated signal along line 134 from the microprocessor 102. The circuit includes a low pass filter 136, a modulator 137, a flux biasing resistor 138, a reference photodiode 140, a control loop error amplifier 142, a feedback loop compensation capacitor 144, and LED drive transistors 146. The LICC controls the drive supplied to the LEDs 148, as will be described.

The LEDs, of which there are two in the exemplary embodiment, generate light, a component 150 of which will encounter the target 152, which is the test strip or other test element inserted into the meter. Another component 154 of the light strikes a chamber reflector 156 and a portion of which 158 is reflected toward reference photodiode 140. One of the LEDs is a 660nm LED in the exemplary embodiment, which is appropriate for detecting glucose in a test strip marketed under the tradename PRESTIGE and sold by Home Diagnostics, Inc. of Ft. Lauderdale, FL. The exemplary embodiment can be easily modified for detecting other analytes or using other strips by changing the software and LED used to obtain a different wavelength. For instance, a 580nm LED would be preferred for ketones using known analytical chemistry systems.

The light detector circuit (LDC) 124 will now be described. In an exemplary embodiment, the LDC includes a main photodiode 160, a transimpedance (current to voltage) amplifier 162, a high pass filter 164, an amplifier 166, and a negative gain amplifier 168. The output stage of the exemplary LDC includes a demodulator 170, a level shifting amplifier 172, and a low pass filter 174. The output stage provides a DC voltage to line 128, as set forth above. The LDC supplies an analog signal to the A/D converter, which when digitized is interpreted by the microprocessor to provide test results.

In the exemplary embodiment, input to the A/D converter is conventionally multiplexed, receiving input from lines 128 and 132, and from other signal lines not shown and not necessary to understand the present invention.

In the exemplary embodiment, two LEDs are employed, at 610 nm and 660 nm as described herein. The LEDs are selected according to the instruction code at appropriate times by the microprocessor 102 by a signal sent via line 176, which activates a switch 178. If additional LEDs are employed, then additional signal lines and switches can be added in conventional manner.

The operation of the exemplary circuit 100 will now be described. A pulse width signal is produced by the microprocessor 102 along line 134. As is well known, the pulse width modulation signal is basically a 2.5V signal delivered either on or off according to a duty cycle. In a perfect square wave, the duty cycle is 50%, so that the signal is 50% on, and 50% off. Accordingly, when the signal is on, it is delivered at 2.5

volts and when it's off, it is zero volts. The signal in line 134 is averaged by the low pass filter 136 to arrive at a drive voltage for the LEDs, which will in turn determine their output. For example, for a perfect 2.5V square wave, the average voltage, and thus the output of the low pass filter 136 will be 1.25V. In this way, the power delivered to the LEDs can be modified by the microprocessor by changing the duty cycle of the pulse width modulation signal. To increase the light power, the duty cycle of the signal would be increased.

In the exemplary embodiment, the duty cycle of the pulse width modulation signal is determined during factory calibration of the meter, and the duty cycle value is permanently stored in the EEPROM. Of course, periodic calibration routines known in the art could also be employed. Further, different LEDs may have different preferred drive requirements, so different duty cycles can be utilized based on the LED in operation.

The circuit 100 employs a modulation or "chopping" function controlled by the microprocessor 102. The microprocessor 102 supplies a modulation signal via line 180 to the modulator 137 of the LICC and to the demodulator 170 of the LDC in synchrony. The chopping signal is essentially a square wave (on/off) signal supplied to drive the LEDs at a certain frequency, rather than at constant power, to eliminate noise in the signal output of the circuit. In the exemplary embodiment, a 2 kHz chop is employed. The chopping function allows the shifting of the frequency of the light signals LICC upward to a "quieter" region of the spectrum where ambient light effects can be

minimized in the LDC. For example, while sunlight is 0 Hz (DC), incandescent lights have a frequency of 120 Hz. Fluorescent lights are also 120 Hz, but also have harmonic frequencies. By shifting the drive frequency of the LEDs above that of ambient light at the LICC, the LDC will be able to receive a signal at the matching frequency that is above the spectrum where most noise is encountered.

The LICC includes flux biasing resistor 138 which is in parallel with modulator 137. This resistor in parallel essentially inhibits the voltage from the low pass filter 136 from being completely turned off by the modulator 137. In this way, the chopping function, instead of modulating between full-on to full-off will modulate between full-on and low. The result is that the LEDs will be either full-on or dim, but never completely off. Several benefits are realized by this arrangement. First, because the LEDs are never dark, a positive bias is always present at the reference diode 140. As a result, when interfering ambient light reaches the reference diode 140, there is a tendency for the modulated signal to move toward ground. This positive bias helps to compensate for this tendency toward ground and allows the circuit to adapt without a change in peak-to-peak amplitude by keeping the modulated signal above ground. Second, the fact that a voltage is always present maintains control loop error amplifier 142 further above ground, which promotes better performance.

The control loop amplifier 142, in connection with the compensation capacitor 144 receives the output from the reference photodiode 140 to provide a feedback mechanism in determining the appropriate drive power for the LEDs 148.

When target 152 is illuminated by light 150 from an LED 148, reflected light 153 is received by the main photodiode 160, producing a photocurrent based on the reflectance. The photocurrent output of the photodiode 160 is supplied to transimpedance amplifier 162, which converts the photocurrent to a voltage. This voltage is conditioned by high pass filter 164, which removes noise components of the signal below the chopping frequency. It is here that the noise components of artificial lighting are filtered out, although certain harmonics of fluorescent light are eliminated after demodulation by low pass filter 174. In the exemplary embodiment, a 400 Hz cutoff frequency is employed in high pass filter 164.

The signal emerging from high pass filter 164 is basically a square wave voltage at the chopping frequency that is nominally 0.5V peak to peak maximum and centered about the virtual ground of 2.5V. To condition the output for the A/D converter, which in the exemplary embodiment operates at approximately 2.6V maximum, amplifier 166 and negative gain amplifier 168 are employed as follows. When the LED is on, the top half of the square wave is connected by level shifting amplifier 172; and when the LED is off, the bottom half of the square wave is amplified by minus unity and connected by level shifting amplifier 172. This inverts the bottom half of the square wave when the LED is off. The demodulator 170 selects between the amplifiers 166, 168 in synchrony with the modulation occurring in the LIDC at modulator 137. The resulting signal emerging from demodulator 170 is a DC signal proportional to the reflectance of the chemistry, in relation to the 2.5V reference voltage in the exemplary embodiment.

Level shifting amplifier 172, a differential amplifier, receives the DC signal from the demodulator 170, applies a gain and shifts the signal to a range acceptable to the A/D converter, which in the exemplary embodiment is approximately 2.6V maximum. Low pass filter 174 removes spiking introduced by the demodulation of the signal by amplifiers 166, 168, and also removes a large amount of the harmonics of artificial light that were shifted high by the demodulation. Further, Any DC offsets in the amplifier stages prior to the demodulations that were shifted up to the chopping frequency are also effectively filtered. The only noise left in the signal are harmonics of ambient light that are right around the chopping frequency, which in the exemplary embodiment of 2 kHz are minimal.

These remaining harmonics are of known frequency and their relationship to the chop frequency will determine their frequency. For example, the 17th harmonic of fluorescent lighting will be $120\text{Hz} \times 17 = 2040\text{ Hz}$. If the chop frequency is 2048 HZ, which is more conveniently generated by binary digital systems than 2000Hz, the strongest remaining interfering harmonic will be 8 Hz ($|2048\text{Hz} - 2040\text{Hz}|$). Since this interfering signal is of known frequency, it can be further reduced by simple synchronous digital filtering techniques. In countries that use 50Hz power grids, the strongest interfering frequency will be 2 Hz (the 25th harmonic of 100Hz = 2050Hz, $|2048\text{Hz} - 2050\text{Hz}| = 2\text{Hz}$). A simple synchronous digital filtering technique that "nulls-out" both 2Hz and 8Hz can be implemented.

Testing fluid samples for glucose levels according the present invention generally includes insertion of test strip 30 containing a blood sample into meter system 10 within

test chamber cover 22 along strip platform 24. Proper insertion of the test strip 30 in meter system 10 results in locating the reaction viewing port 46 of the test strip 30 directly above the test window (not shown) of meter system 10. Once the test strip is properly inserted in meter system 10, the 660 nm LED discharges against viewing port 46 of test strip 30, and the reflectance from the discharge is registered by one or more light detectors. This process continues until the meter system, according to an algorithm, calculates the glucose level of the sample. A representative algorithm is described in commonly-assigned copending U.S. Patent Application No. ___/____ (Atty Docket No. 0011-00000 entitled "Method for Determining the Concentration of an Analyte on a Test Strip"0), simultaneously filed herewith, the contents of which are incorporated herein by reference.

The microprocessor and algorithm software of meter system 10 perform calculations to arrive at the ultimate glucose measurement. It should be noted, however, that similar calculations may be used for deriving the amount of other analytes found in the test strip 30 so long as meter system 10 has been properly reconfigured and calibrated for the particular analyte of interest.

Meter system 10 according to an illustrative embodiment of the invention is intended to receive and automatically differentiate between at least three different types of test elements, as discussed hereinabove. The three types of tests include: (1) an analytical test; (2) a control test; and (3) a standard test. To avoid combining different types of test results, the results of each test type can be stored in separate locations in the memory of meter system 10. This categorizing of the test results would allow for

separate recalling of test results for each type of test, but would not combine results from different types of tests. Access to different types of test results could also be determined by different protocols, for example allowing a user to view historical analytical test results, but limiting access to historical standard test results to service technicians. Alternatively, only the results of certain types of tests could be saved, and others not saved.

The present invention automatically differentiates between the three different types of tests by analyzing aspects of the spectral curve derived from reflectance measurements taken from a test element inserted into the meter system. Aspects of the spectral curve associated with an inserted test element can be ascertained by analyzing the percentage of reflectance of the test strip measured over certain predetermined wavelengths, or a range of wavelengths. An example of a spectral curve for an analytical element, using whole blood to test for glucose, according to the present invention and measured between a wavelength range of 500nm to 900nm is illustrated in Fig. 3.

As illustrated in Fig. 3, the spectral curve of the blood sample forms a generally concave shape between a wavelength range of 500nm to 800nm, with the lowest portion of the curve located generally between a wavelength range of 600 to 700 nm. It has been found that all blood samples applied to the type of test strip described above, and measured in the manner described above, provide a spectral curve resembling the that shown in Fig. 3. While the shape of the spectral curve remains similar for all blood samples irrespective of glucose concentration (Cf. Fig. 5), especially within the range of

600 nm to 700 nm, the actual reflectance percentages may vary from blood sample to blood sample. For example, the spectral curve shown in Fig. 3 corresponds to a blood sample having a high glucose concentration on a PRESTIGE brand test strip, as depicted by the lowest portion of the curve indicating a 20 to 30 percent reflectance. Alternatively, the spectral curve for a blood sample having a low glucose concentration as shown in Fig. 5 will still have its lowest point between the wavelength range of 600 to 700 nm, but with a percentage reflectance above 40.

This vertical displacement of the entire spectral curve for blood glucose tests presents challenges in differentiating test types, because absolute thresholds are not easily applied.

As described above, the illustrative embodiment uses a 660 nm wavelength LED to measure reflectance of a test element inserted into meter system 10. This wavelength has been selected based on numerous factors, including system components and type of test strip used, and is designed to correspond with a peak optical response, *e.g.*, absorbance, of the reaction of analyte with reagent on the test strip. While the illustrative embodiment contemplates measuring reflectance with a LED having a wavelength of 660 nm, it is within the scope of the invention that any other wavelength could be used in association with a different test strip composition or system components.

Looking again at the spectral curve of the blood sample of Fig. 3, there is described the optical response over a range of wavelengths for a high glucose sample applied to a test strip as described by the Carroll patents. Such strips are commercially

available from Home Diagnostics, Inc., of Ft. Lauderdale, Florida, under the trademark PRESTIGE SMART SYSTEM. For this glucose reagent system, the reflectance percentage value (%R) measured at a wavelength of 660 nm is approximately the same as the reflectance percentage value measured at a wavelength of approximately 610 nm. It was noted by the present inventors that, because as noted above, the shape of the spectral curve for blood is substantially similar irrespective of glucose level, every blood sample tested will return similar reflectance percentage values at approximately 610 nm and approximately 660 nm. Although the absolute value of the %R reading would vary with glucose concentration, the %R measurements at 610nm and 660nm would always be very nearly the same.

When using a chromogen as an analyte indicator such as with known dry chemistry test strips, the Kubelka-Munk K/S reflectance values can be used to draw a predictable quantitative relationship between color development and concentration of the analyte. The spectral curve of the glucose reaction on a given test strip that is measured is of a known shape and it is known that glucose concentrations can be calculated using K/S values. The effects of intentionally distorting the spectral curve shape of the reaction by adding a dye to the glucose control solution can also be measured using K/S, specifically the difference in K/S values at two different wavelengths. Therefore, K/S can be used to measure the spectral curve shape of both a blood glucose and glucose control reaction.

The advantage of using K/S values instead of raw %R in calculations is that using K/S values tend to provide a more consistent method of measurement from

varying lots of chemistry strips, which vary from lot to lot. The advantage of using %R is that it tends to provide a more consistent method of measuring the effect of the dye in the glucose control solution. As a general proposition, it is easier to control the amount of dye in the glucose control from lot to lot than it is to control the optical properties of strips from lot to lot. As a result, K/S can be a more robust means of measuring the differences in the spectral curve shape from chemistry lot to chemistry lot. However, in some circumstances, $\Delta\%R$ may hold a slight advantage over $\Delta K/S$, for example when measuring low glucose concentrations.

The use of K/S values in an exemplary practice of the present invention is described in the examples below, where Ch1 is 660nm, and Ch2 is 610nm.

Example 1: %R Method (Glucose Control Detection Using Reflectance)

Glucose Control detected when Ch2 %R is at least 3.5%R less the Ch1 %R at the conclusion of the test.¹

Pseudo Code

```
If Ch2 %R <= Ch1 %R - 3.5%R Then
    Glucose Control sample detected
Else
    Blood sample detected
```

Example 2: K/S Method (Glucose Control Detection Using K/S)

Glucose Control detected when Ch2 K/S is at least 0.3² less that Ch1 K/S at the conclusion of the test.

¹ Actual %R cutoff value varies with dyes, chromogens and wavelengths used.

² Actual K/S cutoff value varies with dyes, chromogens and wavelengths used.

Pseudo Code

```
If Ch2 K/S <= Ch1 K/S - 0.3 Then
    Glucose Control sample detected
Else
    Blood sample detected
```

Example 3: Gating (Control Detection with Glucose Level Gating)

Glucose control solutions are manufactured at known glucose concentrations.

Certain glucose concentrations can immediately be excluded from the need for spectral analysis by glucose concentration level alone. For example, blood detection is indicated, but when final glucose value exceeds 400 mg/dL, control solution is identified.

In this case, no spectral curve shape analysis would be required.

Pseudo Code

```
If Final Glucose > 400 mg/dL Then
    Blood sample detected
Else
    Spectral curve shape must be analyzed to determine
    sample type
```

In accordance with an illustrative embodiment of this invention, and as described above, meter system 10 incorporates a second LED having a wavelength of 610 nm. The second LED operates to measure a second point along the spectral curve of the test element inserted into the meter. It is this second LED, acting in conjunction with the strip sensor, that allows the meter system according to the illustrative embodiment to automatically differentiate between at least the three different types of tests described

hereinabove to be conducted by meter system 10. The three types of tests are the analytical test, the standard test, and the control test.

In performing the standard test, a standard strip is inserted into the meter. This standard strip, as is known in the art, can be formed with a notch in the distal end (the end first inserted into the meter) so as not to trip the strip sensor upon full insertion. When inserted, the meter optics will detect the presence of the standard strip because reflectance values increase (with no test element in place, reflectance is, corrected for ambient light and noise, statistically equal to zero). Because the strip sensor will not indicate presence of a test strip because the notch on the standard strip will not trip the strip sensor, the meter will be able to ascertain that the test element inserted is the standard test element, and the test run is the standard test.

If the strip sensor is triggered, however, then the meter system will know that a test strip has been inserted. The test strip is common to both the analytical element and the control element. Distinguishing between the two, and thus between an actual blood sample and a glucose control solution, is facilitated by incorporating a dye within the glucose control solution that alters or distorts the spectral curve, or shape, of the control element. The dye preferably has a narrow spectral absorbance so that it does not significantly impact the glucose evaluation of the sample. The distortion of the spectral curve of the control element due to the dye provides a substantially different reflectance percentage value measured at 610 nm relative to that at 660 nm. As described above, the %R values returned at these two wavelengths are very nearly the same in blood. Accordingly, meter system 10 ascertains that a standardization and verification test

using glucose control solution is being conducted when the reflectance percentage values using the 610 nm LED is measurably different relative to the 660 nm LED when the strip sensor is tripped. The amount of difference between reflectance percentage values between the 610nm channel and the 660nm channel is dependent on the type and amount of dye incorporated into the glucose control solution. The type and amount of dye used should be selected so that it does not exhibit significant absorbance at 660 nm. For example, a dye causing a six point absolute difference in reflectance percentage values between measurements by the two LEDs has been found sufficient to consistently and accurately distinguish the control solution from a blood sample. Because the dye affects the shape of the curve, the absolute reflectance measurement is not what is important. What is important is the relative difference between the reflectance percentages returned between the two wavelengths, which difference would remain substantially constant irrespective of the absolute values.

Fig. 4 depicts a graph of Percentage Reflectance v. Wavelength comparing the spectral curve of the blood sample of Fig. 3 (shown in a solid line) with a spectral curve of a glucose control solution with dye (shown in a dashed line) in accordance with the present invention. To highlight the method for distinguishing between the samples, the samples illustrated in the graph have approximately the same glucose concentration. This is evident from the measured percentage reflectance being approximately the same for both samples using the 660 nm LED. See point A of the graph of Fig. 4.

As indicated in the graph of Fig. 4 and described above, the spectral curve for the analytical element (blood) has approximately the same percentage reflectance value

when measured using both the 610 nm and 660 nm wavelength LED. The spectral curve for the control element (control solution with the added dye), however, contains a deflection such that the reflectance percentage value at 610 nm is approximately six units lower than the reflectance percentage value obtained with a 660 nm LED. Based on this deflection of the spectral curve resulting from the dye, meter system 10 can be programmed to distinguish between an analytical element and a control element, and thus properly select the appropriate test, data processing protocols, display, and related protocols.

In accordance with the invention, any suitable dye can be used to modify the spectral curve of the glucose control solution, as long as it produces a detectable difference in measured results at the two selected LED wavelengths. Appropriate dyes include Bromophenol Blue and Crystal Violet. The amount of dye added to the control solution may be varied, in order to account for various factors understood by one having skill in the art, such as reagent system performance and monitor apparatus design considerations. Further, the spectral shape of a fluid sample may be altered by adding other ingredients which alter measurable optical properties, such as phosphorescing materials instead of dyes.

A representative control solution is formulated as shown in Table 1 in amounts sufficient to make 1000 mL of solution.

Sodium Citrate	58.80g
Glycerol	40.00g
Sodium Hydroxide	As Needed
Hydrochloric Acid	As Needed
Acid Red Dye #1 ¹	0.50g
Bromophenol Blue Sodium Salt ²	3.00 g
Glucose	1.85g ³
Stabilizers/Preservatives	48.00 g
Deionized Water	Sufficient to total 1000 mL

¹ Azophloxine [C₁₆H₁₃N₃Na₂O₉S₂]

² 3',3'',5',5''-Tetrabromophenolsulfonephthalein sodium salt [C₁₉H₉Br₄NaO₅S]

³ Varies with product target level

Table 1

Distinguishing the type of test being conducted in the meter system in the manner described above can be performed instantaneously in the case of the standard test, because the strip sensor is not tripped while reflectance values are being detected by the optical block of the monitor apparatus. Distinguishing between the analytical test and the control test generally takes place after a suitable incubation period has transpired between the sample fluid and the reagent system, such that reaction products can be formed and optically detected.

A decision table appears below as Table 2, summarizing the principles of operation of the illustrative embodiment described hereinabove:

<i>Test Type</i>	<i>%R @ 610 nm ≈ %R @ 660 nm ?</i>	<i>Strip Sensor Tripped?</i>
Analytical (blood)	Yes	Yes
Control	No	Yes
Standard	Yes or No	No

Table 2

In accordance with the invention, the above described spectral analysis can be applied to any type of test strip that has a distinct spectral shape for a given sample type. Of course, LED wavelengths may be selected from other than 660nm and 610nm, depending on the reagent system, to allow the meter to both accurately measure the level of analyte in the sample applied to the test strip, and provide distinguishable spectral curves between an analytical element and a control element, or even between different analytical elements. If different analytical elements were to be distinguished one from another, the reagent system of one type can contain dye particles embedded in the strip as is known in the art. In this way, tests between, for example, glucose and cholesterol might be distinguished using the principles described hereinabove. Also, additional LEDs can be integrated into the optical block, providing an additional data channel upon which a decision can be based.

Also, as shown above in table 1, the standard test is the only test which does not trip the strip sensor, therefore there is no need to ascertain whether the values returned on the 610nm and 660nm data channels are substantially equal. For example, if the standard test used a test element where the %R returned at 610nm and 660nm were

substantially equal, another test type can be provided that would rely on a difference between 610nm and 660nm. As an example, a cholesterol test strip can have a notch in its leading edge so as to not trigger the strip sensor, and have a reagent system such that, at a decision point, there is a measurable relative difference between 610nm and 660nm. The standard test can be further identified by the absolute returns on the 610nm and 660nm channel, for example by providing reflectance values outside the range returned by analytical or control elements. Once the test type is identified as the standard test, which can be instantaneous due to the involvement of the strip sensor, the meter might display %R values instead of analytical values, and the verification by the user can be to compare the %R provided with the standard strip with the %R displayed by the device.

As described above, meter system 10 includes a memory for storing at least successive final glucose values. The memory may hold a collection of successive final glucose values, such as, for example, 365 values. With the capacity of modern subminiature memory chips, a very large amount of data can be reliably stored. These final values can be recalled by pressing a control button 16. Further, meter system 10 may include a data port or a modem assembly for downloading the stored final glucose values to another computer system. The computer system receiving the downloaded final glucose values could be a home PC, or that of a doctor, or a website operator, or any other person or organization for providing assistance to the user in monitoring their glucose levels, or for collecting data on diabetes management on a community regional national or international basis. The modem assembly can be of any configuration (e.g.

TCP/IP or ATM), or those having wireless communication capabilities (e.g. those using GSM, WAP, CDMA, etc.). One such modem is described in copending commonly-assigned US Patent Application No. 09/512,919, filed February 25, 2000, the contents of which are hereby incorporated by reference.

Other embodiments of the invention will be apparent to those skilled in the art from consideration of the specification and practice of the invention disclosed herein. It is intended that the specification and examples be considered as exemplary only, with a true scope and spirit of the invention being indicated by the following claims.

WHAT IS CLAIMED IS:

1. A method for automatically selecting test types in an analytical meter system, comprising:
 - providing a test element, said test element belonging to one of a plurality of test element types;
 - inserting said test element into an analytical meter system;
 - measuring a first optical property of the test element;
 - measuring a second optical property of the test element;
 - distinguishing said test element by identifying a predetermined relationship between said first and second optical properties; and
 - selecting a test type based at least in part upon the results of said distinguishing step.
2. The method of claim 1, wherein said plurality of test element types include analytical elements.
3. The method of claim 1, wherein said plurality of test element types include control elements.
4. The method of claim 1, wherein said plurality of test element types include standard elements.
5. The method of claim 1, wherein said first and second optical properties are absorbance at predetermined wavelengths.
6. The method of claim 5, wherein each of said absorbances are measured by taking at least one reflectance measurement.

7. The method of claim 6, wherein said predetermined relationship comprises a relative difference in percent reflectance which is substantially constant over a range of measured percent reflectance values.
8. The method of claim 2, wherein said analytical element comprises a biological fluid.
9. The method of claim 8, wherein said biological fluid comprises a fluid selected from the set consisting of: whole blood, blood serum, and blood plasma.
10. The method of claim 3, wherein said control element comprises a control solution, said control solution containing a substance for modifying at least one of said first or second optical properties.
11. The method of claim 10, wherein said substance for altering at least one of said first or second optical properties is a dye.
12. The method of claim 11, wherein said dye is selected from the group consisting of: Bromophenol Blue and Crystal Violet.
13. The method of claim 3, wherein said standard element comprises an element having known first and second optical properties.
14. The method of claim 1, wherein the step of inserting said test element further comprises the step of automatically either positively or negatively activating a switch based on the configuration of the test element.
15. The method of claim 14, wherein said selecting step is based at least in part upon the activation state of said switch.
16. The method of claim 1, further comprising the step of performing the test selected in said selecting step.

17. The method of claim 16, further comprising the step of displaying the results of said test performed in said performing step.
18. The method of claim 16 further comprising the step of storing data based at least in part according to the results of said selecting step.
19. The method of claim 18, where said storing step further comprises storing data classified according to test type.
20. A meter system for performing one of a plurality of test types on a test element, where the test element is inserted into the meter system and belongs to one of a plurality of test element types, said meter system comprising:
 - a first light emitting diode selectively discharging light at a first wavelength;
 - a second light emitting diode selectively discharging light at a second wavelength;
 - at least one light detector for measuring light emitted from the first and second light emitting diodes and reflected from a test element; and
 - a processor for distinguishing said test element by identifying a predetermined relationship between said first and second optical properties, and further for selecting a test type based at least in part upon the results of said distinguishing.
21. The meter system of claim 20, wherein said test type performed by the meter system comprises a glucose test performed on whole blood.
22. The meter system of claim 20, wherein the processor distinguishes at least an analytical element from a control element.

23. The meter system of claim 20, said meter further comprising a memory for separately storing results of each test type.
24. The meter system of claim 20, wherein the light discharged from the first and second light emitting diode has a wavelength within the range of 600nm to 700nm.
25. The meter system of claim 24, wherein the wavelength emitted from the first light emitting diode has a wavelength of approximately 660nm.
26. The meter system of claim 24, wherein the wavelength emitted from the second light emitting diode has a wavelength of approximately 610nm.
27. A method for distinguishing a control element from an analytical element in a meter system, comprising:
- programming said meter to recognize a control element formed by applying a solution sample known to exhibit a first set of reflectance characteristics when measured within a range of wavelengths;
 - inserting one of a control element or an analytical element into said meter;
 - measuring at two predetermined wavelengths a set of reflectance values; and
 - distinguishing the test element based on the conformity of said reflectance values obtained by said measuring step with said reflectance characteristics of said control element programmed in said meter.

28. A control solution for use in an analytical meter system for measuring optical properties of a test strip, the control solution comprising a dye intended to modify the optical properties of the test strip.

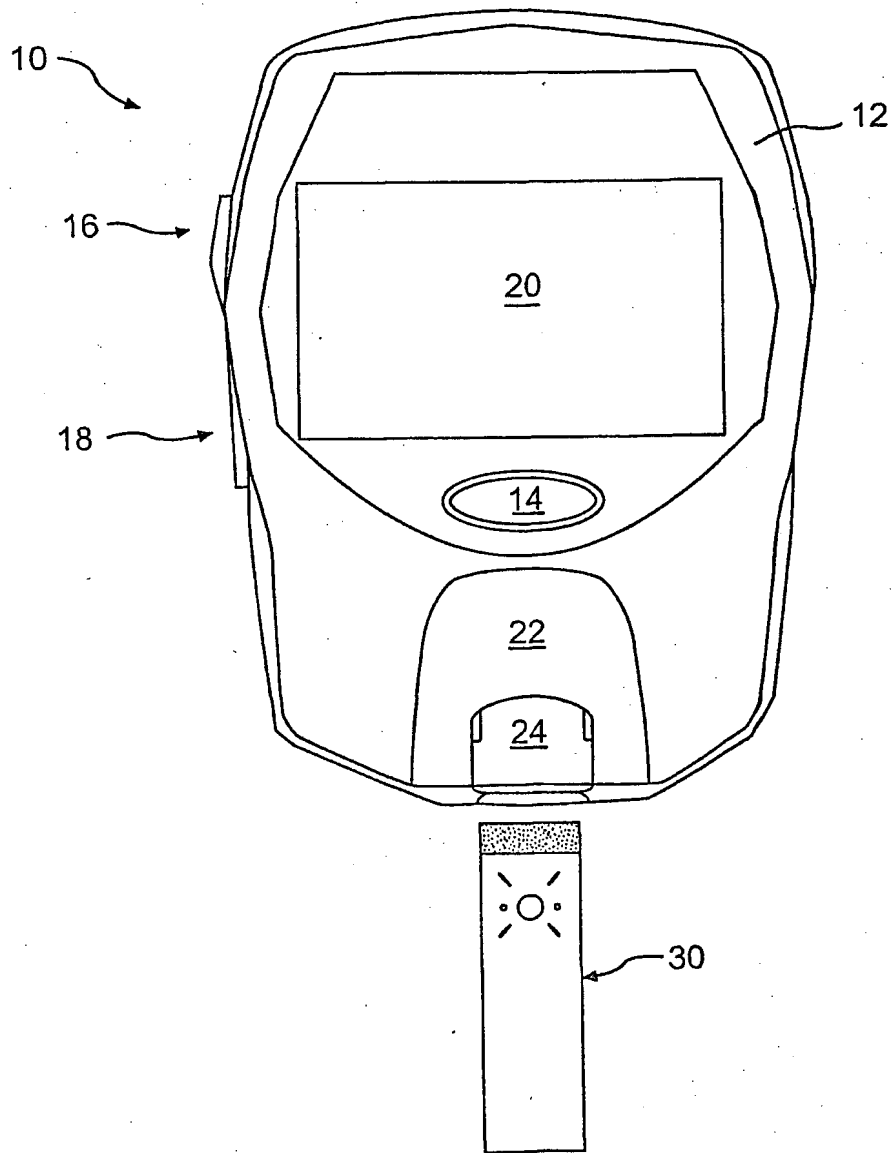


FIG. 1

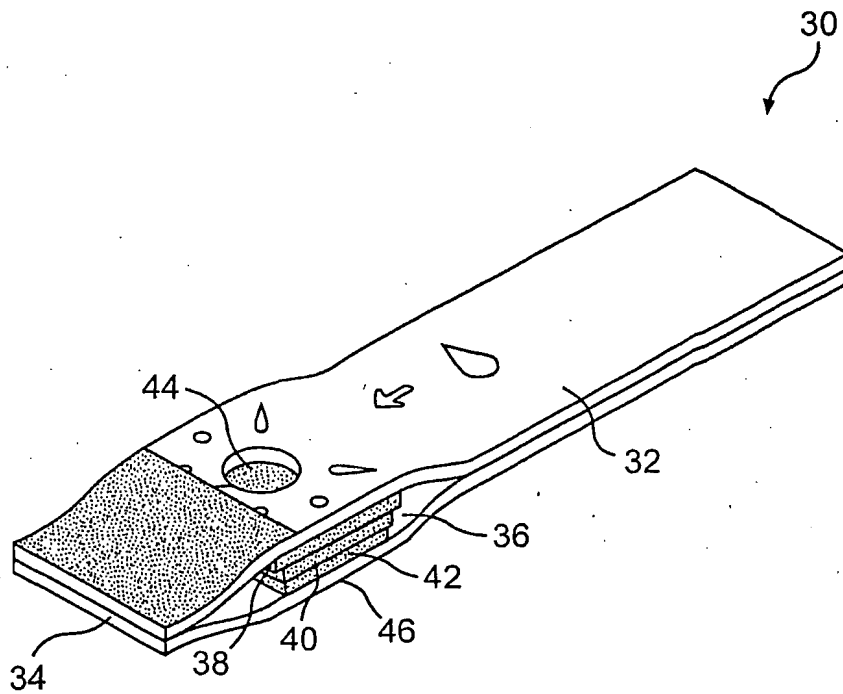


FIG. 2

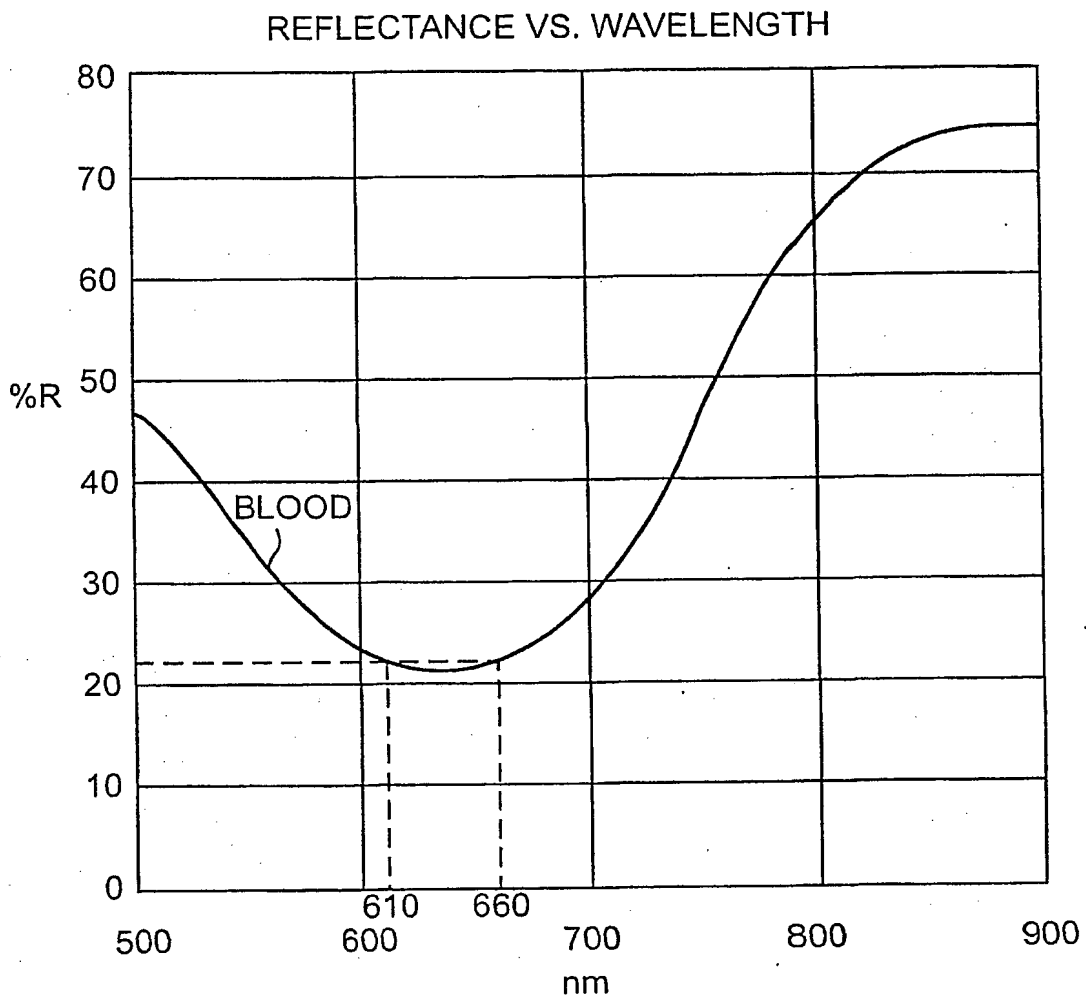


FIG. 3

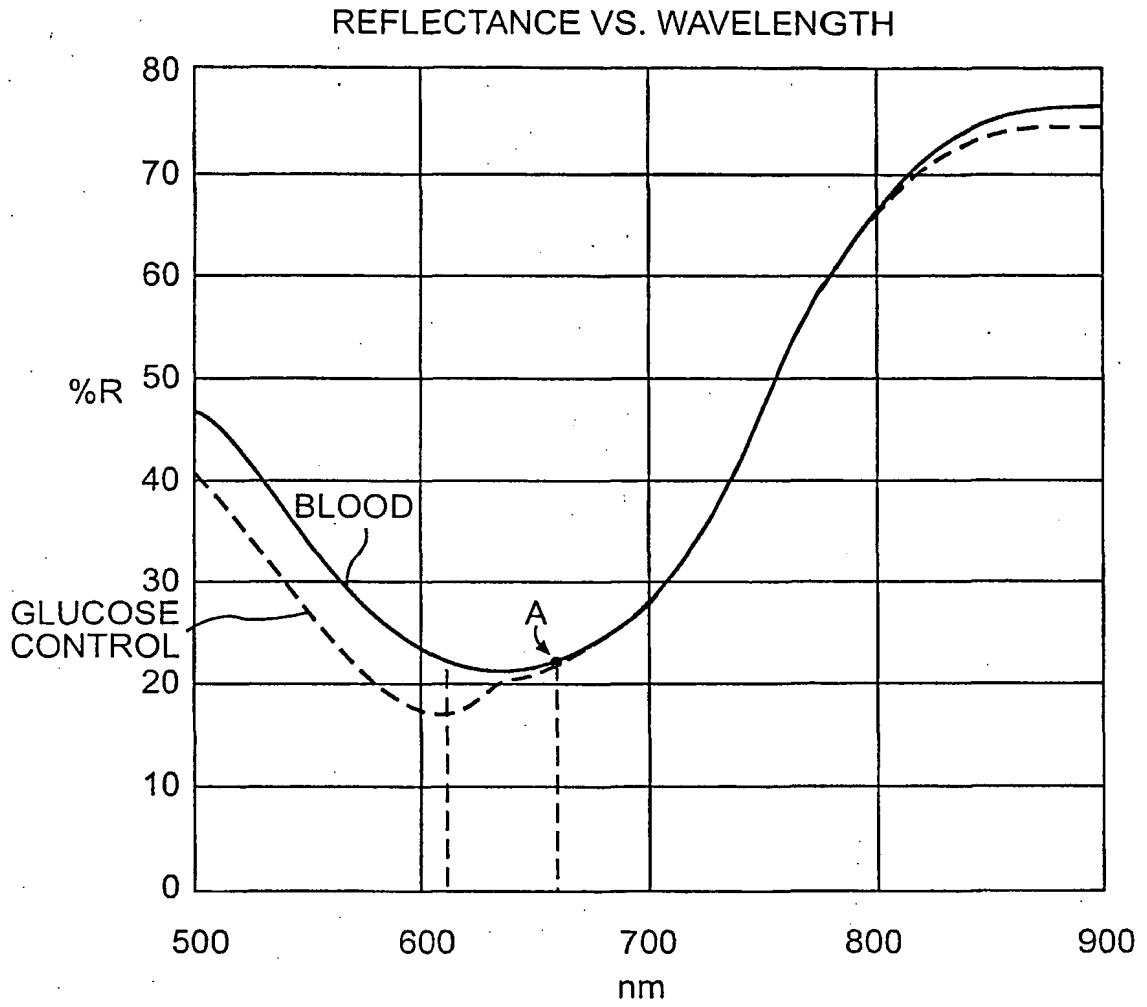


FIG. 4

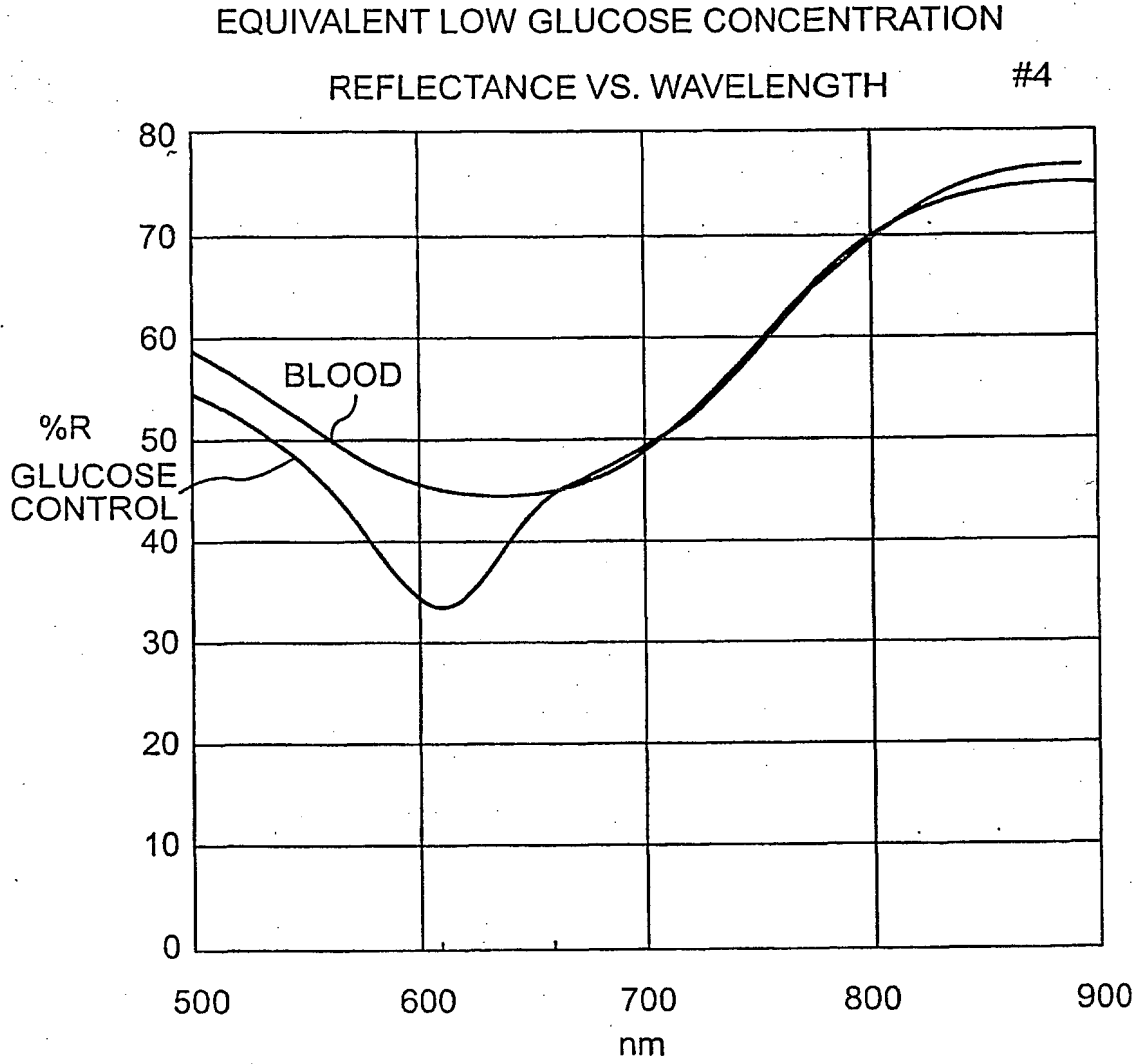


FIG. 5

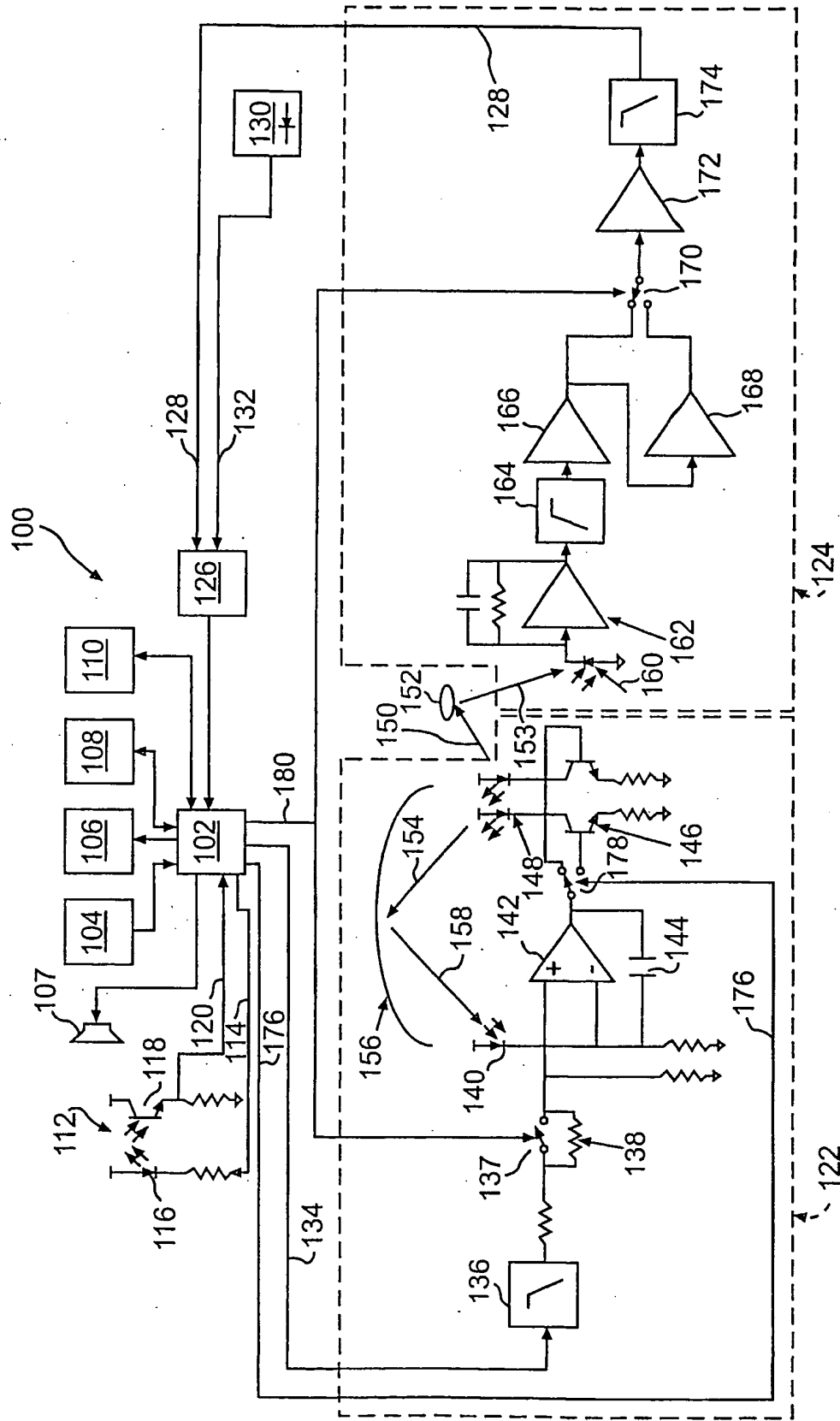


FIG. 6

INTERNATIONAL SEARCH REPORT

International application No.
PCT/US02/05091

A. CLASSIFICATION OF SUBJECT MATTER

IPC(7) : G01N 21/78, 33/52, 35/02
US CL : 422/82.05, 82.08, 82.09; 436/164, 169, 170, 172
According to International Patent Classification (IPC) or to both national classification and IPC

B. FIELDS SEARCHED

Minimum documentation searched (classification system followed by classification symbols)
U.S. : 422/82.05, 82.08, 82.09; 436/164, 169, 170, 172

Documentation searched other than minimum documentation to the extent that such documents are included in the fields searched

Electronic data base consulted during the international search (name of data base and, where practicable, search terms used)

C. DOCUMENTS CONSIDERED TO BE RELEVANT

Category*	Citation of document, with indication, where appropriate, of the relevant passages	Relevant to claim No.
Y	US 5,945,341 A (HOWARD, III) 31 August 1999, entire document.	1-28
A	US 5,408,535 A (HOWARD, III et al.) 18 April 1995, entire document.	1-28
Y	US 3,907,503 A (BETTS et al) 23 September 1975, entire document.	1-28
A	US 5,520,883 A (CHARLTON et al) 28 May 1996, entire document.	1-28
A	US 5,789,664 A (NEEL et al) 04 August 1998, entire document.	1-28
A	US 6,027,690 A (GALEN et al) 22 February 2000, entire document.	1-28

Further documents are listed in the continuation of Box C. See patent family annex.

* Special categories of cited documents:	"T"	later document published after the international filing date or priority date and not in conflict with the application but cited to understand the principle or theory underlying the invention
"A" document defining the general state of the art which is not considered to be of particular relevance	"X"	document of particular relevance; the claimed invention cannot be considered novel or cannot be considered to involve an inventive step when the document is taken alone
"E" earlier document published on or after the international filing date	"Y"	document of particular relevance; the claimed invention cannot be considered to involve an inventive step when the document is combined with one or more other such documents, such combination being obvious to a person skilled in the art
"L" document which may throw doubts on priority claim(s) or which is cited to establish the publication date of another citation or other special reason (as specified)	"&"	document member of the same patent family
"O" document referring to an oral disclosure, use, exhibition or other means		
"P" document published prior to the international filing date but later than the priority date claimed		

Date of the actual completion of the international search
03 JUNE 2002

Date of mailing of the international search report
78 JUL 2002

Name and mailing address of the ISA/US
Commissioner of Patents and Trademarks
Box PCT
Washington, D.C. 20231
Facsimile No. (703) 305-3230

Authorized officer
JEFFREY R. SNAY *Jeffrey R. Snay*
Telephone No. (703) 808-0661

**This Page is Inserted by IFW Indexing and Scanning
Operations and is not part of the Official Record**

BEST AVAILABLE IMAGES

Defective images within this document are accurate representations of the original documents submitted by the applicant.

Defects in the images include but are not limited to the items checked:

- BLACK BORDERS**
- IMAGE CUT OFF AT TOP, BOTTOM OR SIDES**
- FADED TEXT OR DRAWING**
- BLURRED OR ILLEGIBLE TEXT OR DRAWING**
- SKEWED/SLANTED IMAGES**
- COLOR OR BLACK AND WHITE PHOTOGRAPHS**
- GRAY SCALE DOCUMENTS**
- LINES OR MARKS ON ORIGINAL DOCUMENT**
- REFERENCE(S) OR EXHIBIT(S) SUBMITTED ARE POOR QUALITY**
- OTHER:** _____

IMAGES ARE BEST AVAILABLE COPY.

As rescanning these documents will not correct the image problems checked, please do not report these problems to the IFW Image Problem Mailbox.

This Page Blank (uspto)